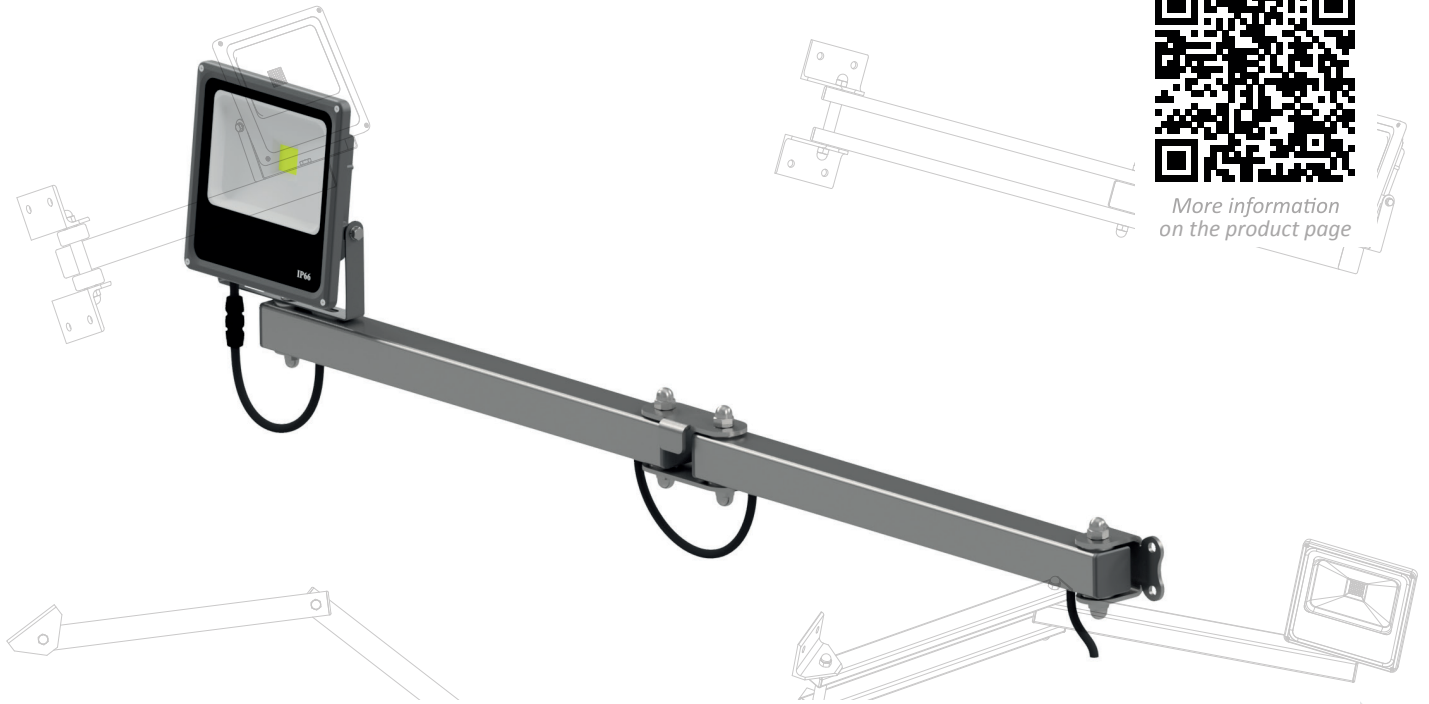


More information  
on the product page



## Dock LED light

- Robust and reliable steel structure
- Quick and safe loading
- Optimising the handling process
- Additional loading and unloading protection
- Improved working comfort
- Easy installation

### General information

Dock lights are the most energy-efficient replacements for outdoor halide lamps. In combination with the articulated extension arm, they provide ideal lighting for the loading area. They are IP65-rated, which means they are fully protected against dust and water, e.g. during rain.

The set includes:

- LED halide
- Articulated extension arm
- Mounting anchors



AC 082



### Technical data

<b>Colour of light</b>	Warm
<b>Supply voltage</b>	230 V AC
<b>Power consumption</b>	10 W
<b>Illumination angle</b>	120°
<b>Dimensions</b>	75x115.5x85mm
<b>Viability</b>	30 000 h
<b>Number of switching cycles</b>	50 000
<b>Starting time</b>	1,1
<b>Lamp power factor</b>	> 0,5
<b>IP factor</b>	IP65
<b>Operation with dimmer</b>	No